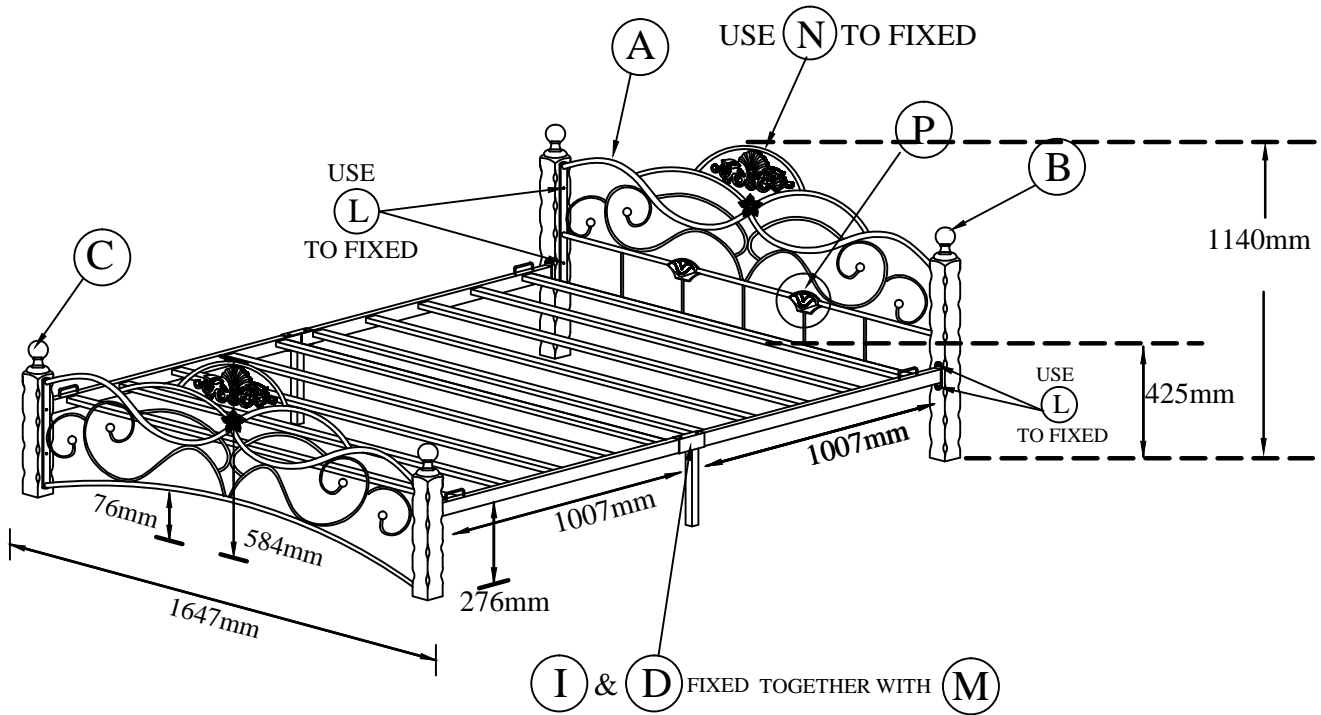


ASSEMBLY INSTRUCTION CANZONA QUEEN BED



PART LIST			
A. Headboard (1pc) & Footboard (1pc) 	B. Woodpost "H" (2pcs) 	C. Woodpost "L" (2pcs) 	D. Metal Slat (2 pcs) I. Support Legs (2 pcs)

HARDWARE LIST				
K1.		L Allen Key M4		1 pc
K2.		L Allen Key M5		1 pc
L.		M6 x 25mm Bolt	Head & Foot Board / Metal Slat	16 pcs
M.		M8 x 70mm Bolt With Nut	Support Leg	4 pcs
N.		M3.5 x 12mm Screw	Wood Deco Big	6 pcs
O.		Wood Deco Big	Head & Foot Board	2 pcs
P.		Wood Deco Small	Head & Foot Board	2 pcs