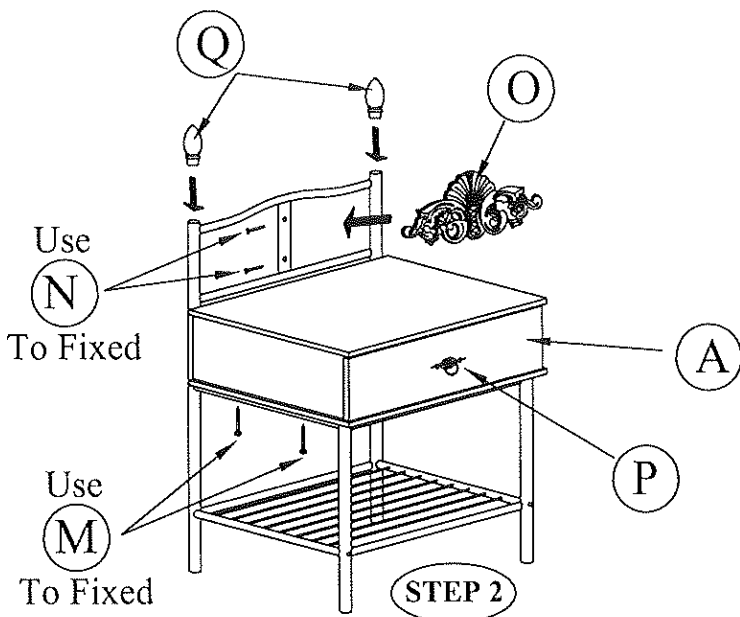
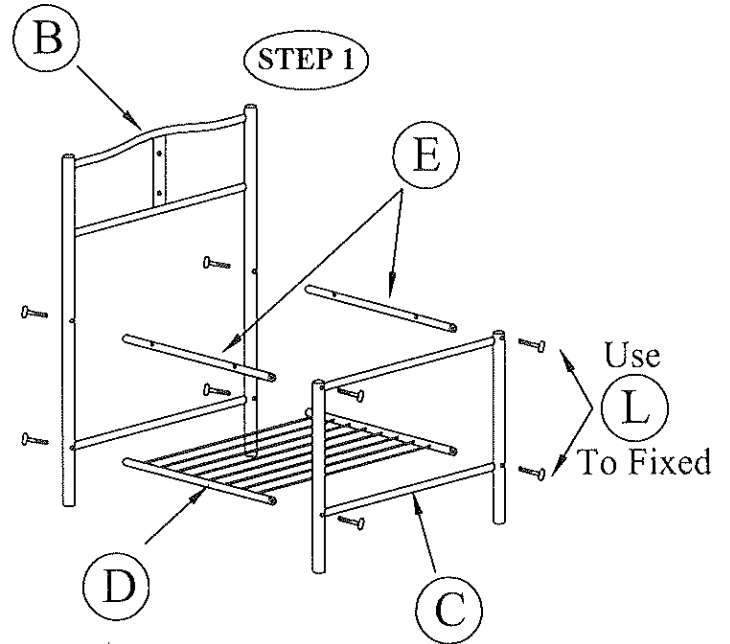
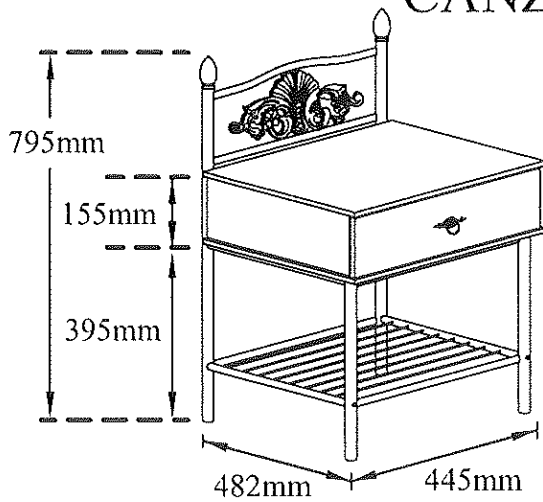


ASSEMBLY INSTRUCTION

CANZONA SIDE TABLE



PART LIST		
<p>A. Drawer (1 pc)</p>	<p>B. Back Leg (1pc)</p>	<p>C. Front Leg (1 pc)</p>
<p>D. Metal Shelf (1 pc)</p>		<p>E. Support Bar (2 pcs)</p>

HARDWARE LIST				
K.		L Allen Key M4		1 pc
L.		M6 x 45mm Bolt	Part B, C, D & E	8 pcs
M.		M4 x 32mm Screw	Part E	4 pcs
N.		M3.5 x 12mm Screw	Part O	2 pcs
O.		Wood Deco Big	Part B	1 pc
P.		Hander with Screw	Part A	1 pc
Q.		Wood Deco Small	Part B	2 pcs