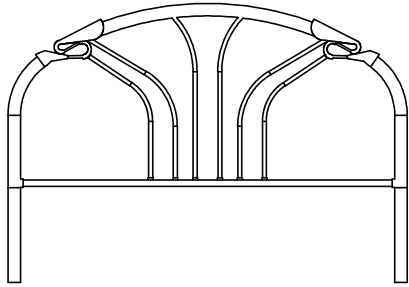


MODEL:METAL POST / SPRUNG WOOD BED BASE
 SIZE :SMALL DOUBLE / DOUBLE / KING / SUPER KING BED

ASSEMBLY INSTRUCTION

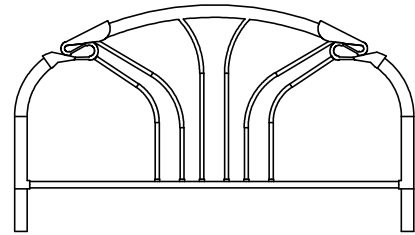
Part List

A: HEAD BOARD



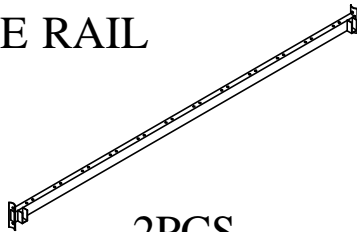
1PC

B: FOOT BOARD



1PC

C:SIDE RAIL



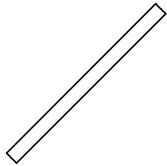
2PCS

D: SIDE CROSS RAIL



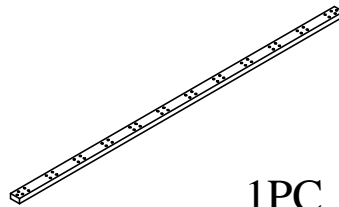
2PCS

E: SUPPORT 1



1PC

F: CENTRE RAIL



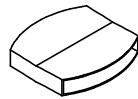
1PC

G:SPRUNG WOOD



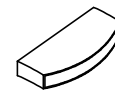
24PCS

I: DOUBLE CONNECTOR



12 PCS

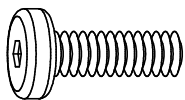
J: SINGLE CONNECTOR



24PCS

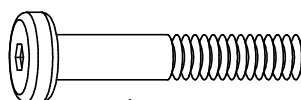
H
a
r
d
w
a
r
e

K: M8X30mm



8PCS

L: 5/16X55mm



4 PCS

M: 1/4X38MM



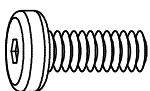
1PC

O: ADJUSTS FOOT



1PC

P: 1/4X20mm



2 PCS

Q:ALLEN KEY 5MM



1PC

R: ALLEN KEY 4MM



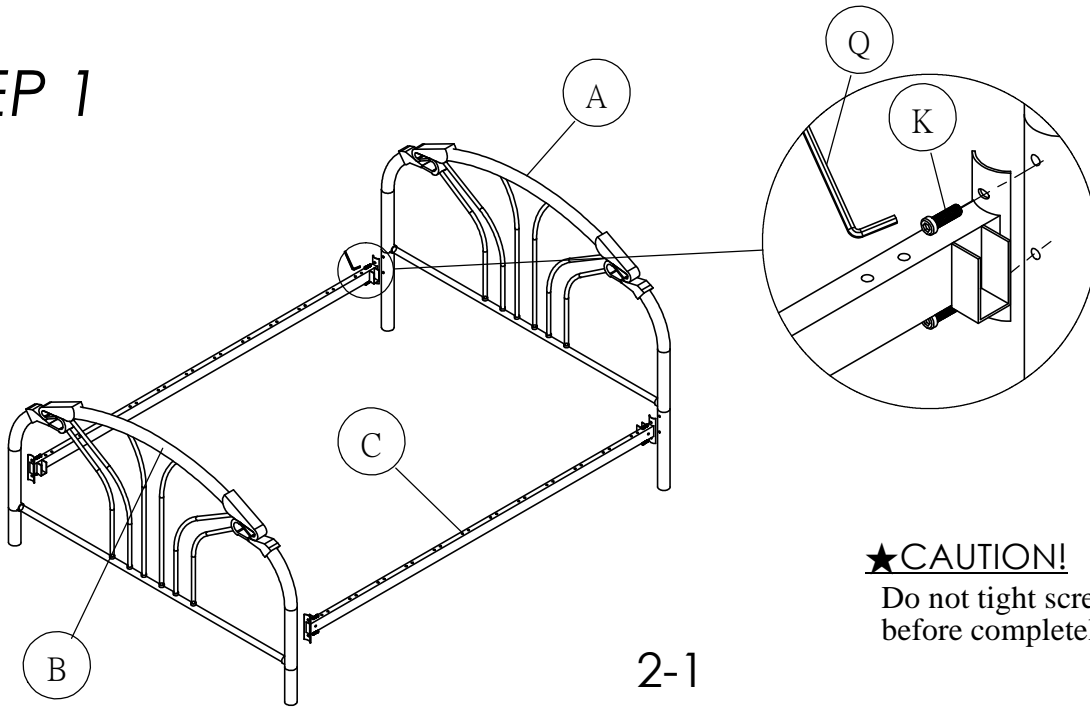
1PC

S: WASHER



4 PCS

STEP 1

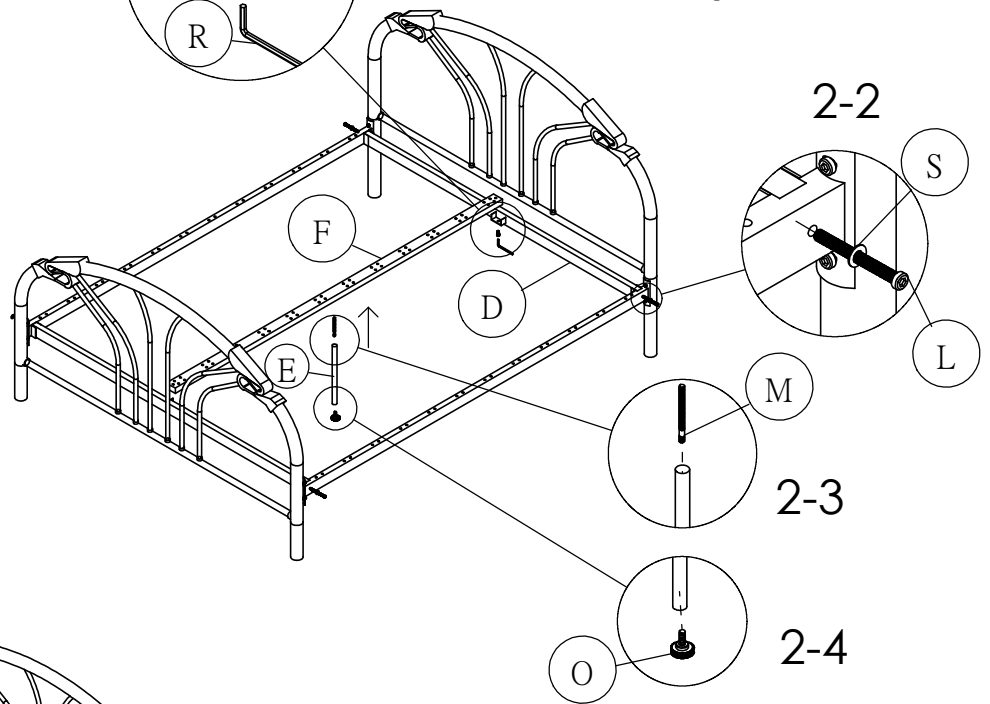
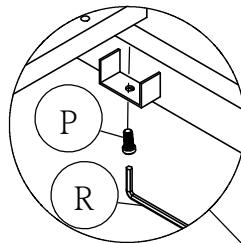


★CAUTION!

Do not tight screw left around 5mm before completely assembled.

2-1

STEP 2

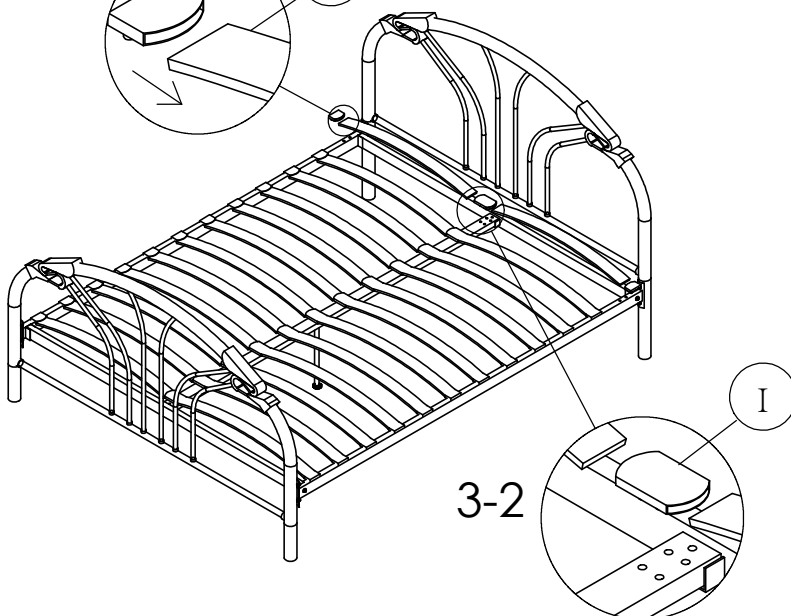
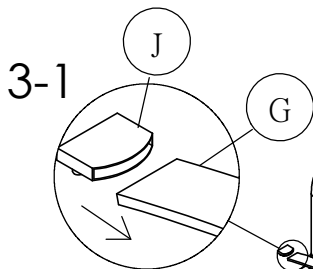


2-2

2-3

2-4

STEP 3



3-1

3-2

ASSEMBLY COMPLETE

REMINDER!

1. Tighten all screw and complete product as shown
2. Ensure cross rails are located in the side rails before placing the mattress on the bed frame.