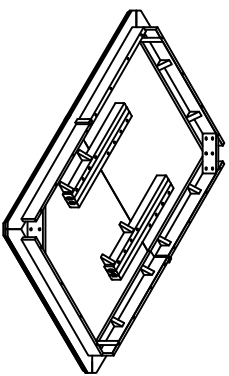


ASSEMBLY INSTRUCTIONS

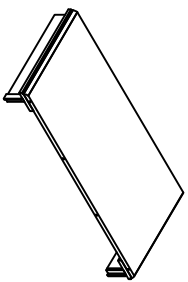
8935-TB

PART LIST

(A) Top Assembly - (1pc)



(B) Extension Leaf - (1pc)

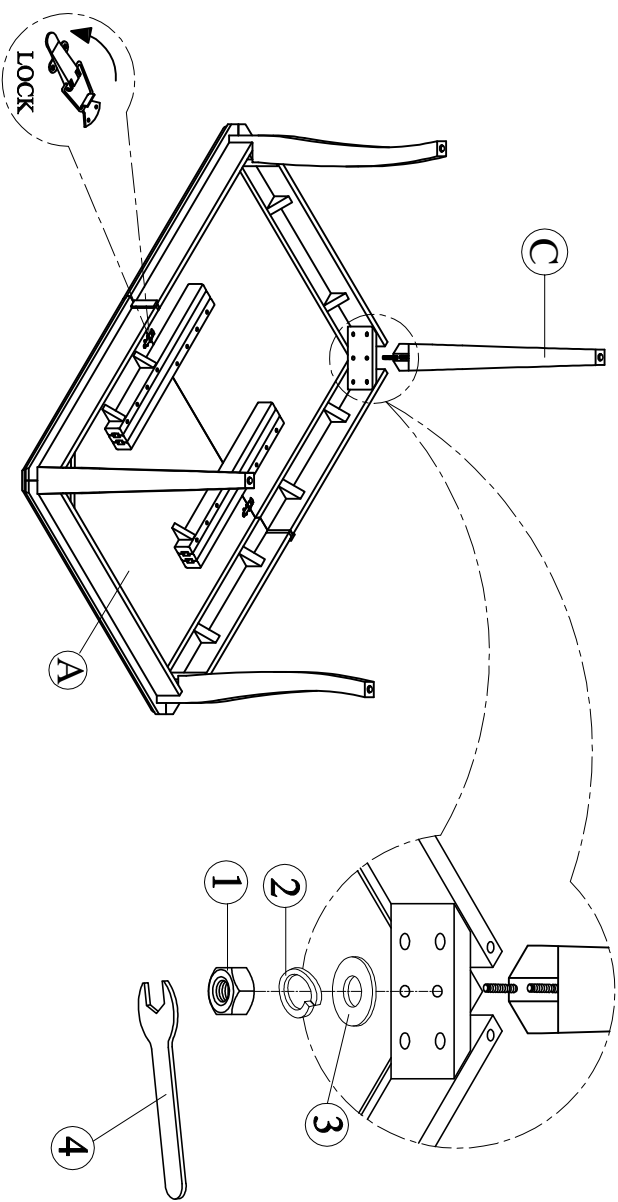


(C) Legs - (4pcs)



DO NOT FULLY TIGHTEN SCREWS AND NUTS UNTIL THE ENTIRE ITEM IS COMPLETELY ASSEMBLED

STEP 1



HARDWARE LIST

Nut



Spring Washer



(1) Ø5/16" x 6mm
(8pcs)

Flat Washer



(3) Ø5/16" x 19mm
(8pcs)

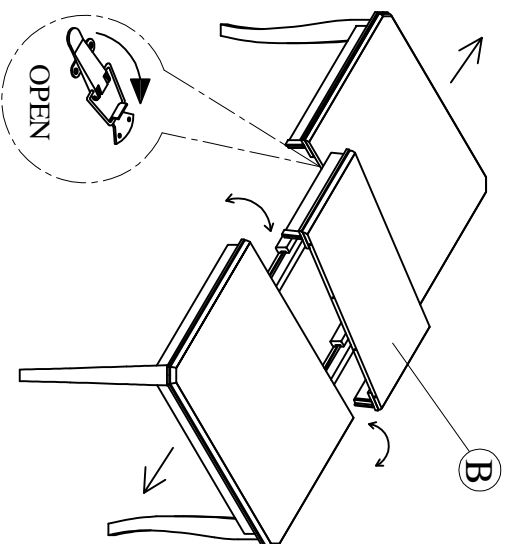
(2) Ø5/16" x 13mm
(8pcs)

Wrench

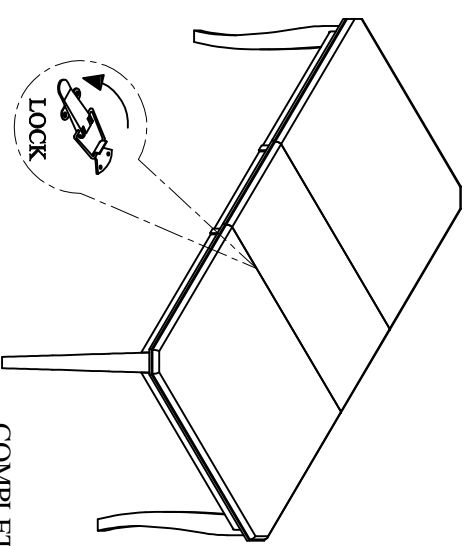


(4) Ø5/16" x 90mm
(1pc)

STEP 2



STEP 3



COMPLETE.