

ASSEMBLY INSTRUCTIONS

863-48SC

PART LIST

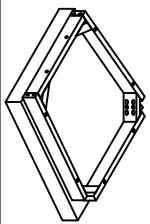
DO NOT FULLY TIGHTEN SCREWS AND NUTS UNTIL THE ENTIRE ITEM IS COMPLETELY ASSEMBLED

(A) Back Assembly (1pc)

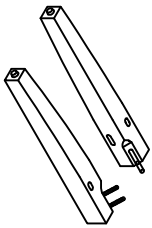
(B) Seat Assembly (1pc)

STEP 1

STEP 2



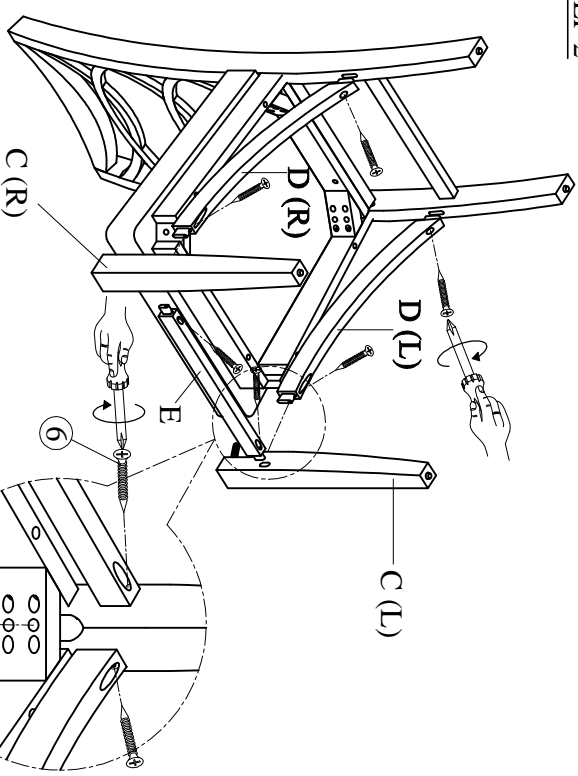
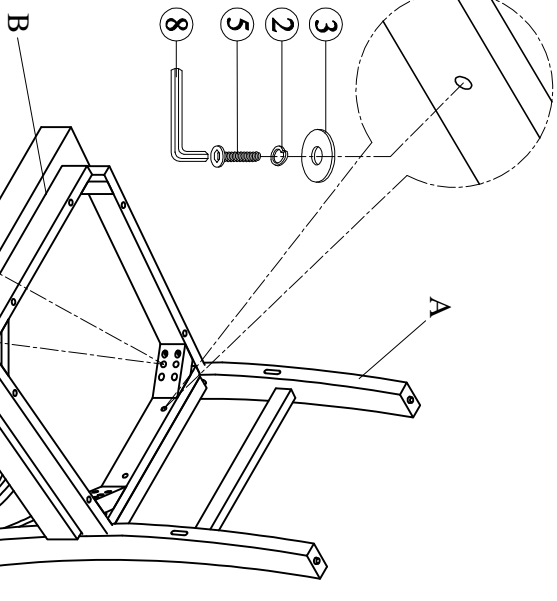
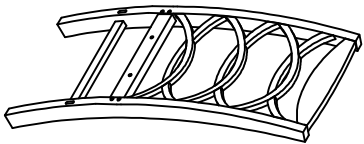
(C) Front Leg - (L-R) (2pcs)



(D) Side Stretcher - (L-R) (2pcs)



(E) Front Stretcher (1pc)



HARDWARE LIST

Nut



Spring Washer



Flat Washer



Long Bolt



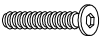
(1) Ø5/16" x 6mm
(4pcs)

(2) Ø5/16" x 13mm
(10pcs)

(3) Ø5/16" x 19mm
(10pcs)

(4) Ø1/4" x 75mm
(4pcs)

Short Bolt



(5) Ø1/4" x 40mm
(2pcs)

Wood Screw



(6) Ø4mm x 38mm
(6 pcs)

Wrench



(7) Ø5/16" x 90mm
(1pc)

Allen Key



(8) 4 mm (1pc)

TOOL REQUIRED



Screw Driver (Not Provided)

