

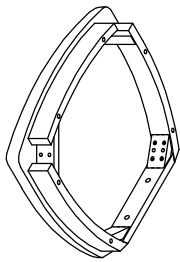
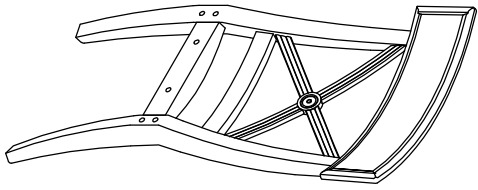
# ASSEMBLY INSTRUCTIONS

## 829-SC

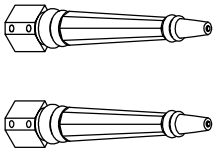
### PART LIST

**DO NOT FULLY TIGHTEN SCREWS AND NUTS UNTIL THE ENTIRE ITEM IS COMPLETELY ASSEMBLED**

(A) Back Assembly (1pc)      (B) Seat Assembly (1pc)



(C) Front leg (2pcs)



### HARDWARE LIST

Long Bolt



(1) Ø1/4" x 75mm  
(4pcs)

Medium Bolt



(2) Ø1/4" x 60mm  
(4pcs)

Short Bolt



(3) Ø1/4" x 40mm  
(2pcs)

Spring Washer



(4) Ø5/16" x 13mm  
(10pcs)

Flat Washer



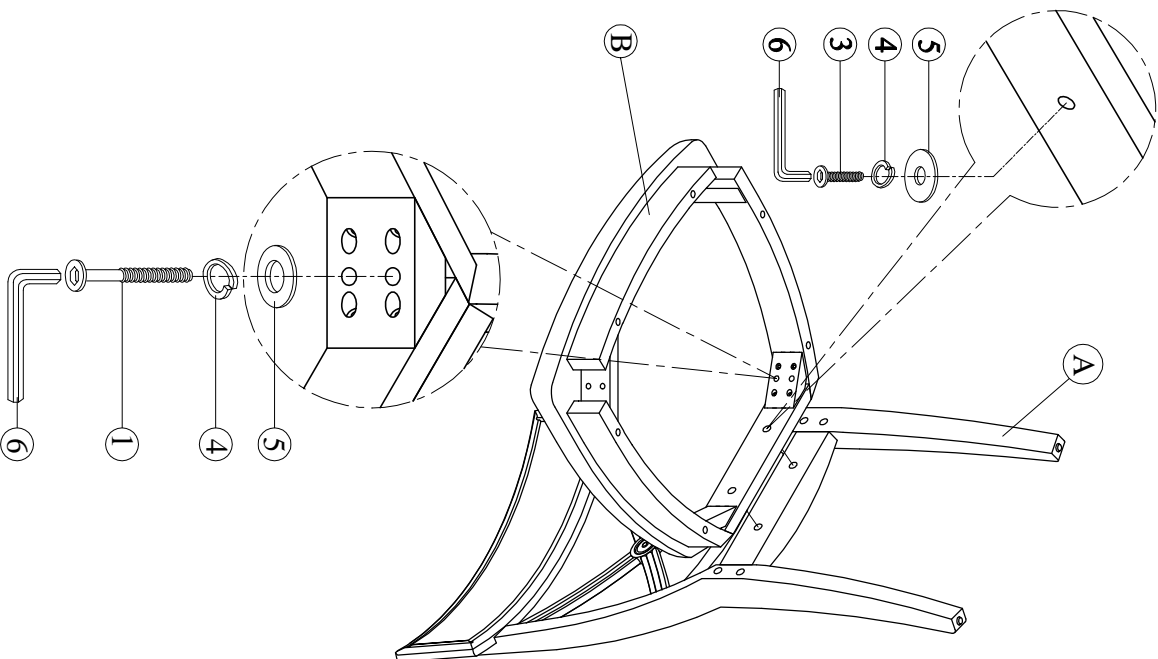
(5) Ø5/16" x 19mm  
(10pcs)

Allen Key

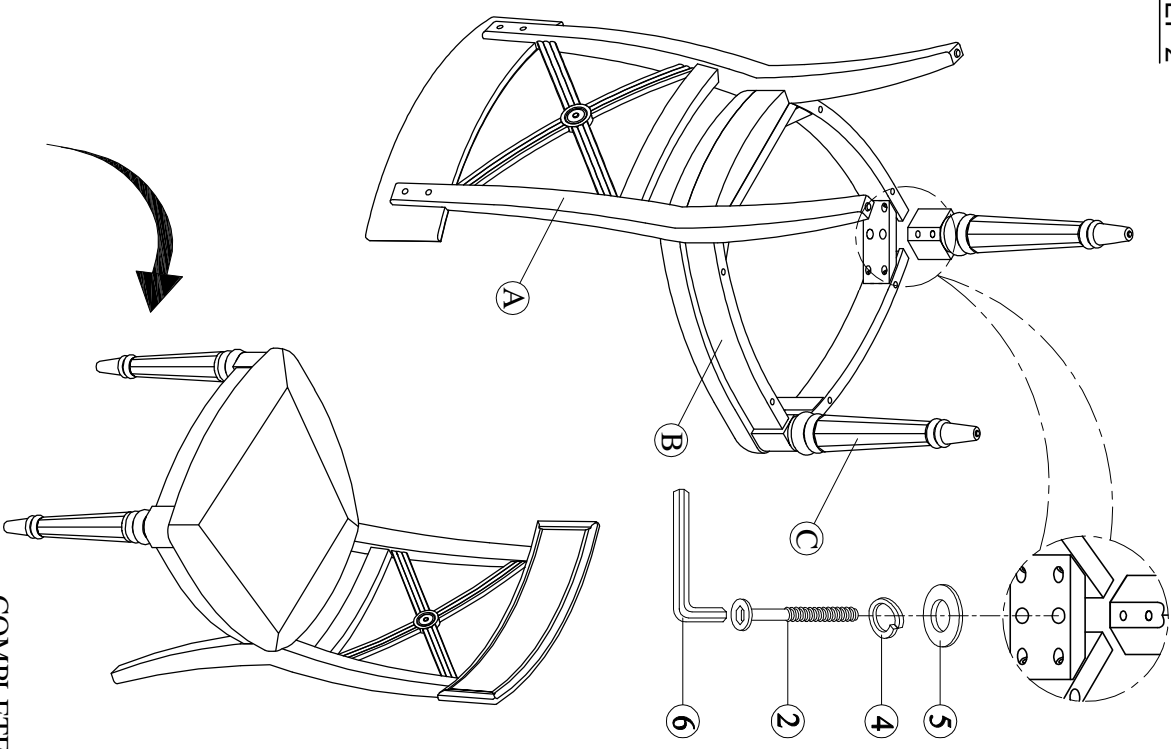


(6) 4 mm (1pc)

### STEP 1



### STEP 2



**COMPLETE.**