

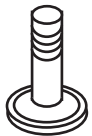
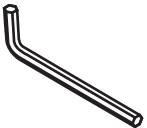





ASSEMBLE INSTRUCTION FOR DINING CHAIR

MOD NO F131-3

NO	Picture	Quantity
A		1
B		1
C		4
D		1
E		8
F		1
G		4

