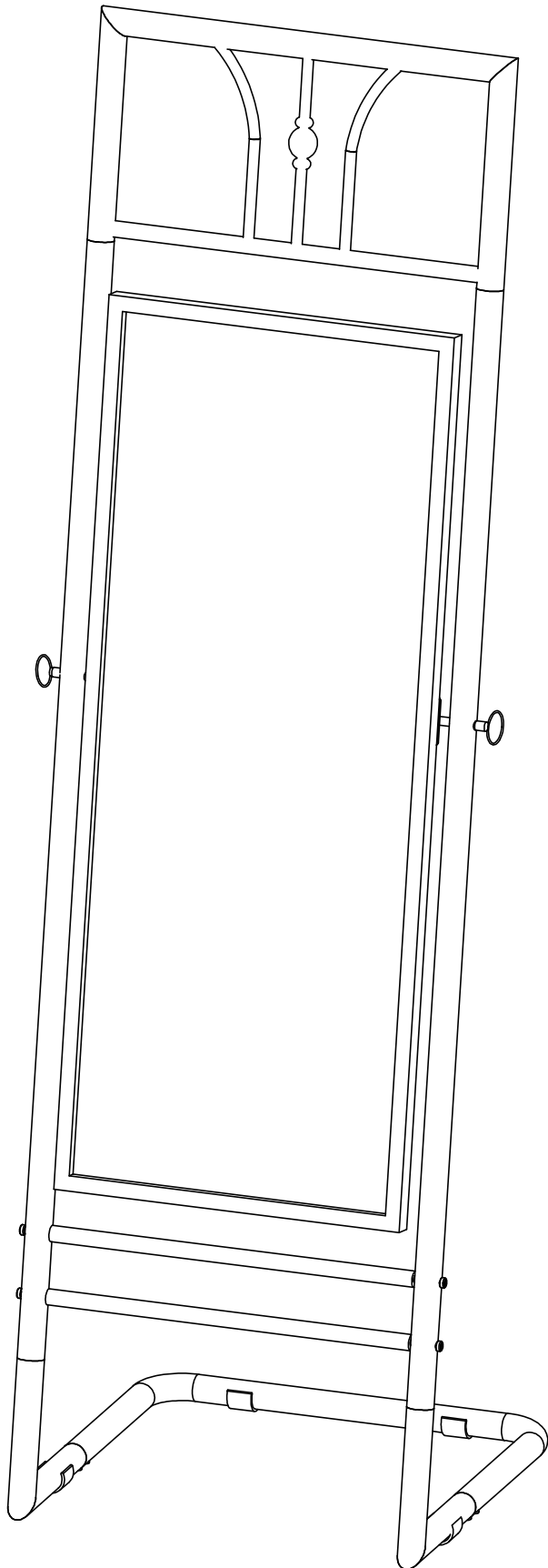
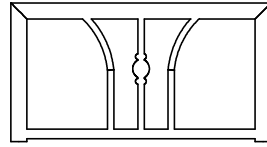


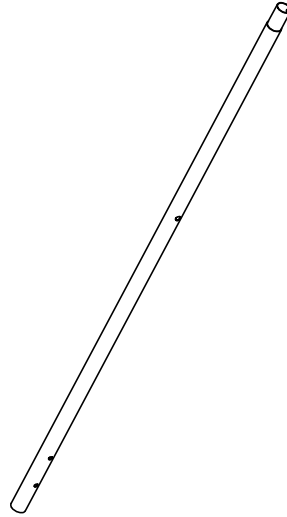
ITEM NO.:DM-03



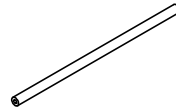
A: 1 PC



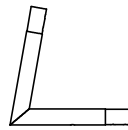
B: 2 PCS



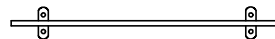
C: 2 PCS



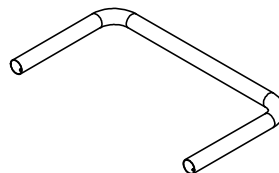
D: 2 PCS



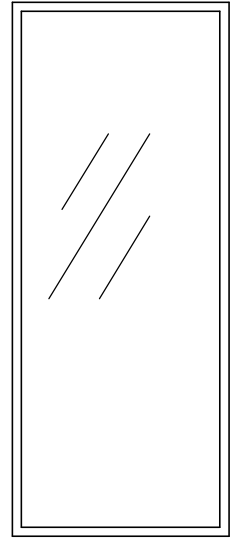
E: 1 PC



F: 1 PC



G: 1 PC



H: 1 PC



I: 4 PCS



J: 4 PCS



K: 12 PCS



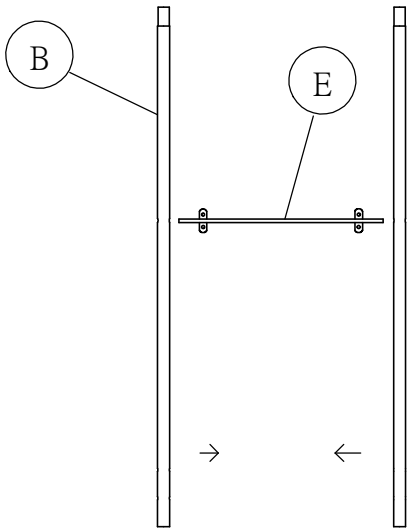
L: 4 PCS



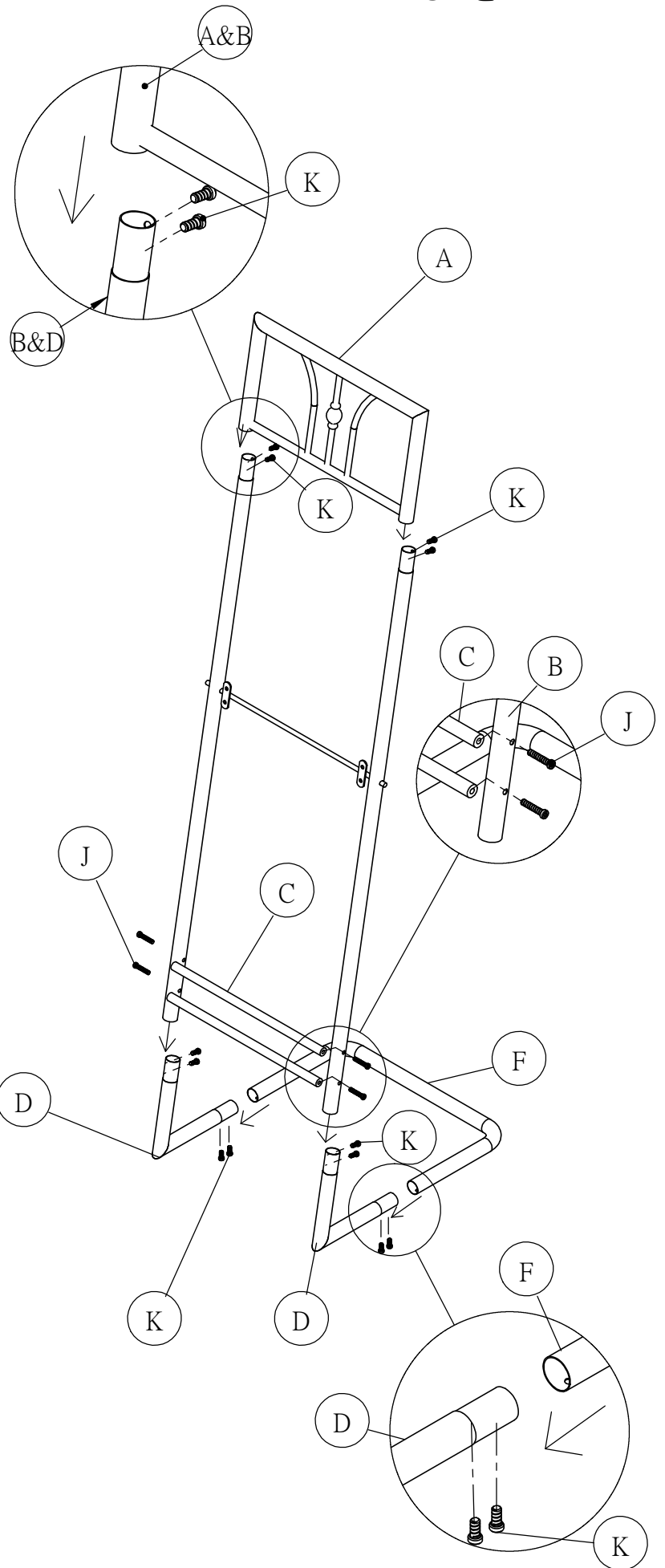
M: 2 PCS



STEP: 1



STEP: 2



STEP: 3

